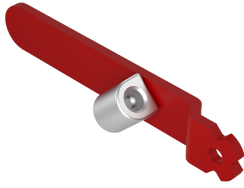


## KLIMA-FLEX 2 INSIDE HANDLES



Inside handle for Klima-flex 2. When it is used as an emergency handle it should only be combined with non-lockable outside handles.

In the Klima-flex 2 system you can combine a safety catch, rod link and/or inside security handle with the inside roller cam.

If you desire, the Klima-flex 2 system allows you to use a regular inside handle (Index Code 2-315d).

### MATERIAL

**Handle:** Steel, red powder coated

**Rod link:** Zinc die cast, zinc plated

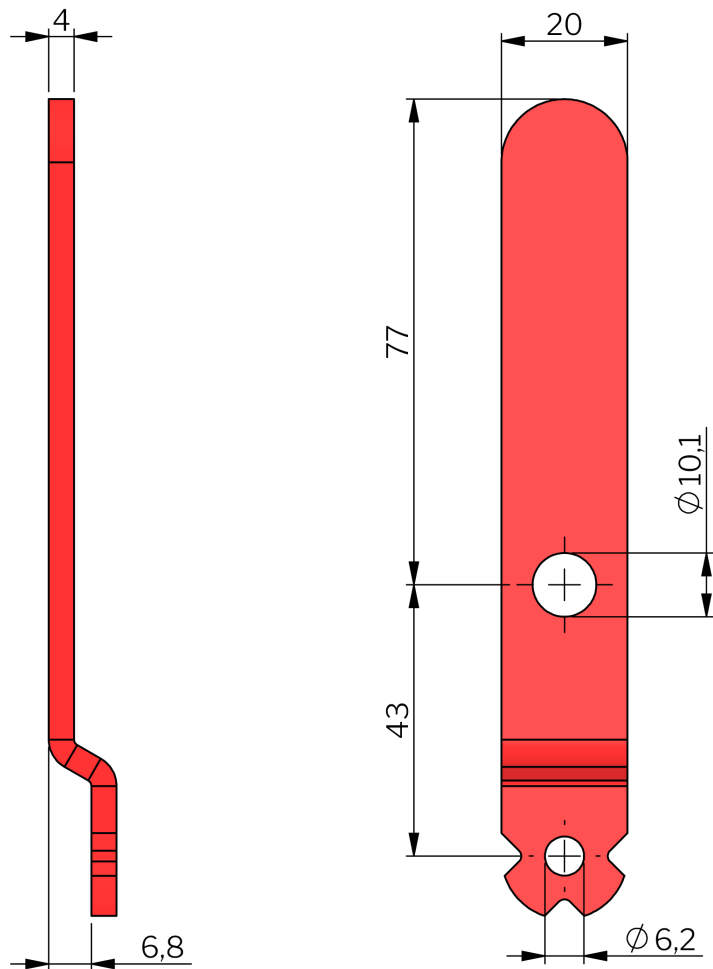
### RELATED PRODUCTS

**Interlink rods:** 2-313a

**Inside options:** 2-315c

**Rod links:** 2-315f

Use the Index Code at [industrilas.com](http://industrilas.com)



**Industrilas**  
— When access counts —

P/N	Description
2651-903000	Inside security handle without rod link
2651-903001	Inside security handle with rod link